

AC/DC Switching Adapter - Single Output

**Medical AC/DC Power Adapter
AD-A2 Class II Series**

FEATURES

- Medical 60601-1 3.2 Edition MOPP and IEC 60601-1-11 approved
- 2-prong IEC320-C8 AC inlet, Class II
- Approval IP22
- Meet DoE level VI Efficiency requirements
- 3 year warranty

ELECTRICAL SPECIFICATIONS

- Input range : 90 - 264VAC
- Frequency : 47 - 63Hz
- Inrush current : < 50A peak @115VAC; < 100A peak @230VAC cold start @25°C
- Input current (rms) : 2A @90VAC; 1A @264VAC max.
- Efficiency : > 88% @average load, 115/230VAC (Except +5V model)
- Maximum output power (Po) : 40Watts / 60Watts /65Watts
- Hold-up time : > 10ms typical @full load, 115VAC
- Short Circuit Protection: Auto-recovery
- Over Load Protection: Auto-recovery
- Over Voltage Protection: Shutdown and latch off, AC recycle
- Over Temperature Protection: Shutdown and latch off, AC recycle [Optional]

ENVIRONMENTAL

- Operating temperature : -20 to +60°C (Derate linearly 2.5% per °C from 41 to 60°C)
- Storage temperature : -20°C to +85°C
- Humidity: 0% ~ 95%.
- MTBF : > 100,000 hours at full load and 25°C ambient temperature



RoHS Compliant

Dimension : L106 × W60 × H31 mm (4.17" × 2.36" × 1.22")
Weight : 0.24 kgs. (0.55 lbs.)

SAFETY STANDARDS

UL60601-1 3.2 Edition
CSA-C22.2 No.60601-1 3.2 Ed.
EN60601-1 3.2 Edition
IEC EN60601-1 3.2 Edition
IEC 60601-1-11 1st Edition

EMC STANDARDS

EN60601-1-2 Ed4:2015
IEC60601-1-2 Ed4:2014
EN55011 Class B
EN55035 Class B
FCC Part 18 Class B
CE

DC OUTPUT & FEATURES

Model	Output Rating		Po	O/P Regulation	Ripple & Noise(Vp-p)	DOE Efficiency
PW-M040A-1Y050B	+ 5V	8A	40W	±5%	50mV	V
PW-M060A-1Y120B	+ 12V	5A	60W	±5%	120mV	VI
PW-M060A-1Y150B	+ 15V	4A	60W	±5%	150mV	VI
PW-M065A-1Y190B	+ 19V	3.42A	65W	±3%	190mV	VI
PW-M065A-1Y240B	+ 24V	2.7A	65W	±3%	240mV	VI
PW-M065A-1Y280B	+ 28V	2.32A	65W	±3%	280mV	VI
PW-M065A-1Y480B	+ 48V	1.35A	65W	±3%	480mV	VI

- Note:**
1. Ripple and noise are measured at oscilloscope 20MHz bandwidth by a 10uF electrolytic capacitor and a 0.1uF ceramic capacitor in parallel at output connector.
 2. The switching frequency of this series is set within 45 to 70KHz at full load.



POWER-WIN TECHNOLOGY CORP.

5F-6, No. 79, Sec. 1, Hsin-Tai 5th Road, Shi-Chi, New Taipei City, 22101 Taiwan, R.O.C.

Tel : 886-2-26983989(Rep) Fax : 886-2-26983978

http : //www.power-win.com

E-Mail : sales@power-win.com

REV. 2.5

AC/DC Switching Adapter - Single Output

SAFETY AGENCY CERTIFICATIONS

SAFETY AND EMC PERFORMANCE

Description	Safety	EMC
Medical equipment	IEC 60601-1-1:2005+AMD1:2012+AMD2:2020 EN 60601-1:2006/A1:2013/A12:2014/A2:2021 ANSI/AAMI ES60601-1:2005/A2:2021 CAN/CSA C22.2 NO. 60601-1:14/A2:22	EN 60601-1-2:2015+A1:2021 EN 55035:2017+A11:2020 EN 55011:2016+A1:2019+A2:2021 FCC 47 CFR Part 18

Tests for conformance to this requirement will be performed with final system

(*) FCC PART 15 compliance information and warnings :

This device complies with part 15 of the FCC Rules. Operation is subject to the following two conditions :

- (1) This device may not cause harmful interference.
- (2) This device must accept any interference received, including interference that may cause undesired operation.

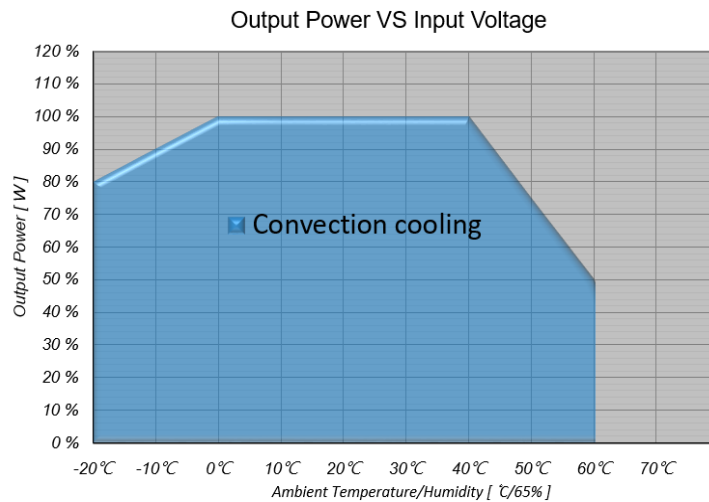
INSULATION LEVEL AND DIELECTRIC WITHSTAND (HI-POT)

Medical equipment	Isolation voltage	Grade insulation
Primary to Secondary	5656Vdc (4000Vac)	2 MOPP

Note : Production testing use dc voltage test 4 Sec.

ENVIRONMENTAL

DERATING CURVE



POWER-WIN TECHNOLOGY CORP.

5F-6, No. 79, Sec. 1, Hsin-Tai 5th Road, Shi-Chi, New Taipei City, 221432 Taiwan, R.O.C.

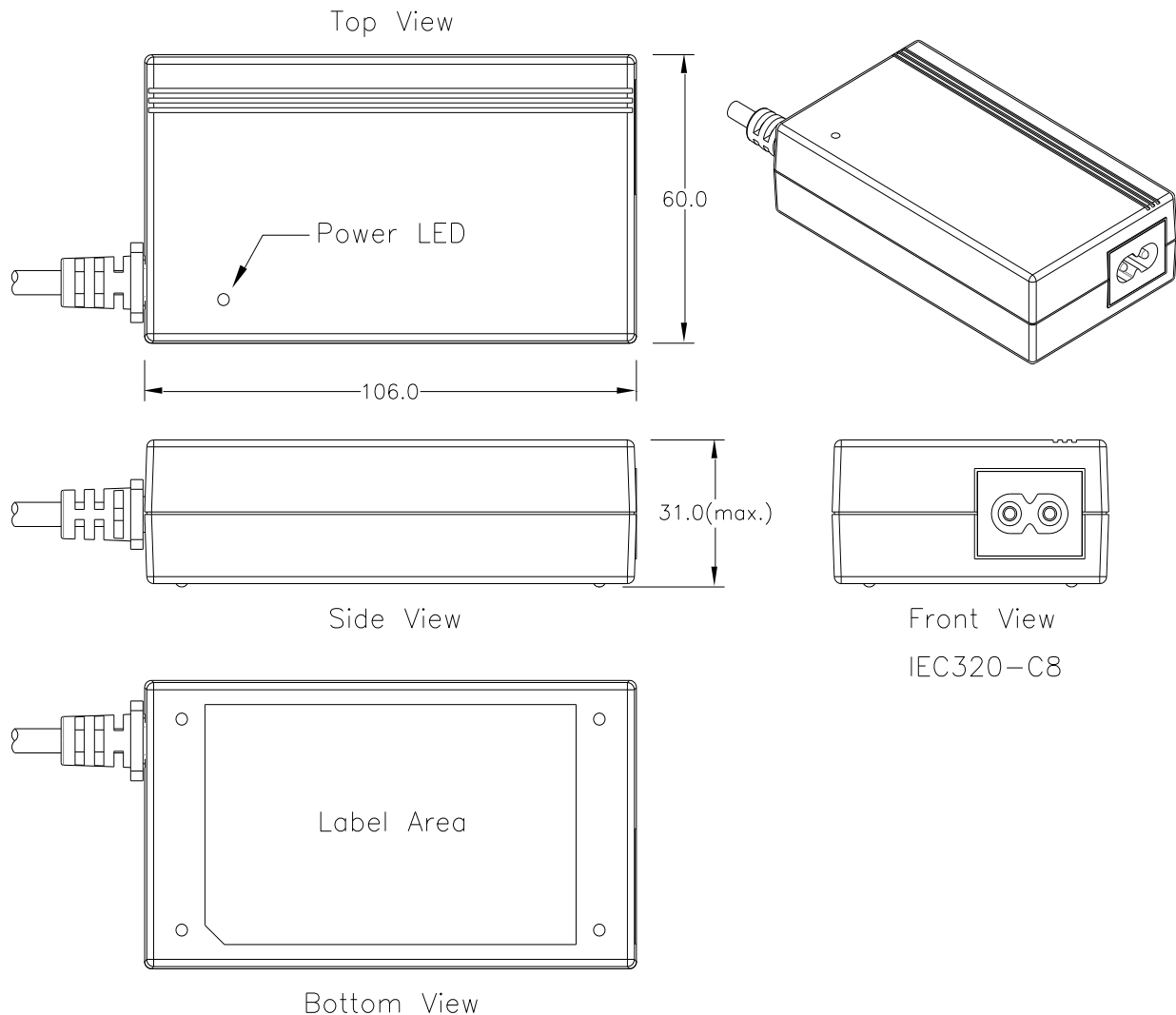
Tel : 886-2-26983989(Rep) Fax : 886-2-26983978

http://www.power-win.com

E-Mail : sales@power-win.com

REV. 2.5

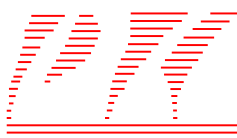
MECHANICAL SPECIFICATION



- Note:
- 1. AC Inlet : IEC320-C8
 - 2. Plastic Case Color : Black
 - 3. Tolerance : $\pm 0.5\text{mm}$
 - 4. Unit : mm

STANDARD OUTPUT CABLE

- 1. AWM 1185 # 18 AWG / 1C + SHIELDING, UL 80°C 300V VW-1, 1000mm.
- 2. AWM 2464 # 18 / 20 AWG / 4C + SHIELDING, UL 80°C 300V VW-1, 1000mm.
- 3. Depends on customers requirements.



POWER-WIN TECHNOLOGY CORP.

5F-6, No. 79, Sec. 1, Hsin-Tai 5th Road, Shi-Chi, New Taipei City, 22101 Taiwan, R.O.C.

Tel : 886-2-26983989(Rep) Fax : 886-2-26983978

http : //www.power-win.com

E-Mail : sales@power-win.com

REV. 2.5