

Open Frame Type Switching Power Supply

FEATURES

- High Power density, 150W in 2" x 4" footprint
- 100% Burn-in and Hi-pot tested
- 3 year warranty



ELECTRICAL SPECIFICATIONS

- Input range : 90 - 264VAC
- Frequency : 47 - 63Hz
- Power Factor : > 0.9 @115/230VAC @full load
- Inrush current : < 45A peak @115VAC; < 90A peak @230VAC cold start @25°C
- Input current (rms) : 2.5A @115VAC; 1.25A @230VAC max.
- Efficiency : > 87% @average load, 115/230Vac
- Maximum output power (Po) : 150 Watts forced air, 100 Watts convection cooling
- Hold-up time : > 10ms typical @full load, 115VAC
- Short circuit protection : Auto-recovery
- Over load protection : 105% to 160% maximum rating, Auto-recovery
- Over voltage protection : Auto-recovery

RoHS compliant

Open Frame type

Dimension : L101.6 x W50.8 x H29 mm (4" x 2" x 1.14")

Weight : 0.206 kgs. (0.46 lbs.)

U-channel type

Dimension : L104.6 x W57 x H35 mm (4.12" x 2.25" x 1.38")

Weight : 0.275 kgs. (0.6 lbs.)

ENVIRONMENTAL

- Operating temperature :
 - 100 Watts convection cooling**
0 to +60°C (Derate linearly 2.5% per °C from 41 to 60°C)
 - 150 Watts forced air cooling**
0 to +70°C (Derate linearly 2.5% per °C from 51 to 70°C)
- Storage temperature: -10°C to +85°C
- Humidity: Non-condensing 5% to 95%
- MTBF : > 100,000 hours @full load and 25°C ambient temperature

SAFETY STANDARDS

- UL UL60950-1
- UL UL62368-1
- CSA CSA-C22.2 No.60950-1
- CSA CSA-C22.2 No.62368-1
- Nemko EN60950-1
- TUV EN62368-1
- CB IEC60950-1
- CB IEC62368-1

EMC STANDARDS

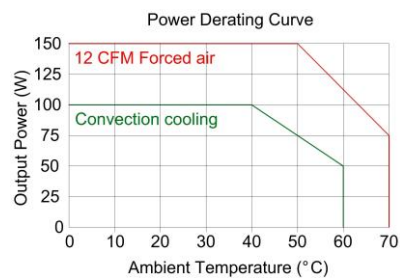
- EN55032 Class B
- CISPR22 Class B
- FCC Part 15 Class B
- CE

DC OUTPUT & FEATURES

※ Model identification code example PW-150B-1YZZZX

- X= Blank Open Frame type,
- X=U U-channel type

DERATING CURVE



Model No.	Output Voltage	Minimum Load	Maximum Load		Po	Output Regulation	Ripple & Noise (Vp-p)	Efficiency Level @150W
			Convection	12 CFM Forced Air				
PW-150B-1Y120X	+12V	0A	8.33A	12.5A	150W	±3%	150mV	V
PW-150B-1Y150X	+15V	0A	6.66A	10A	150W	±3%	150mV	V
PW-150B-1Y190X	+19V	0A	5.26A	7.89A	150W	±3%	190mV	V
PW-150B-1Y240X	+24V	0A	4.15A	6.25A	150W	±3%	240mV	V
PW-150B-1Y280X	+28V	0A	3.57A	5.35A	150W	±2%	300mV	V
PW-150B-1Y480X	+48V	0A	2.07A	3.12A	150W	±2%	300mV	V

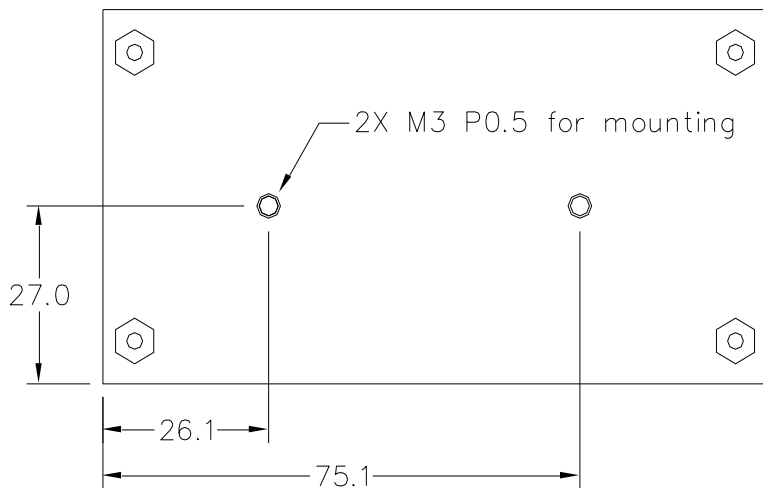
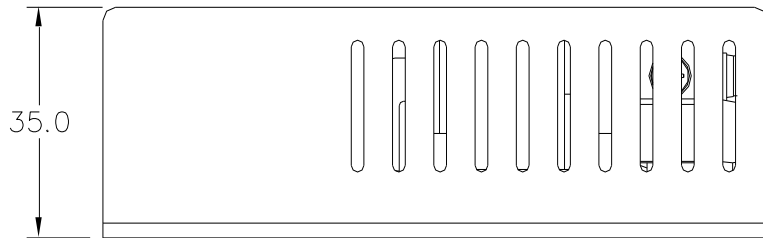
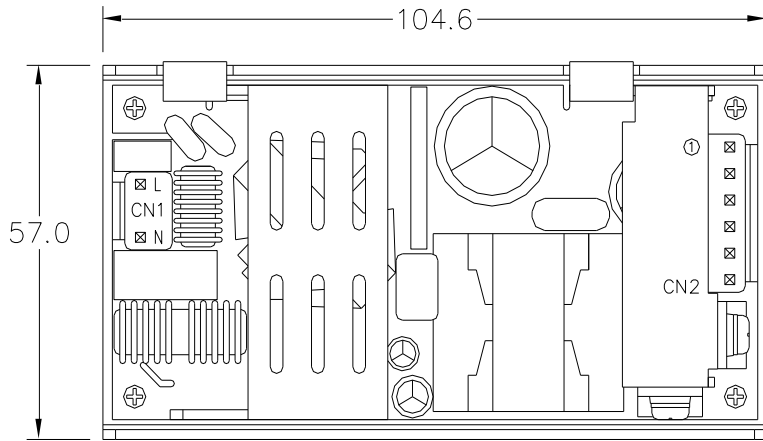
Note:

1. At 25°C including initial tolerance, line voltage, load currents and output voltages adjusted to factory settings.
2. Ripple and noise are measured at oscilloscope 20MHz bandwidth by a 10uF electrolytic capacitor and a 0.1uF ceramic capacitor in parallel at output connector.



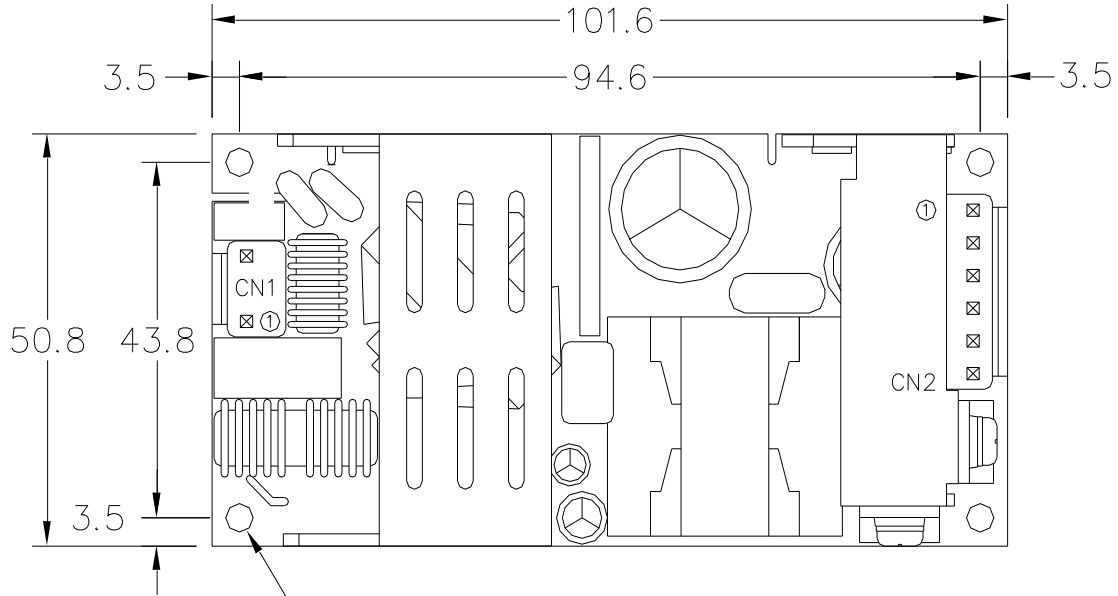
MECHANICAL SPECIFICATION

U-Channel type PW-150B-1YZZZU series

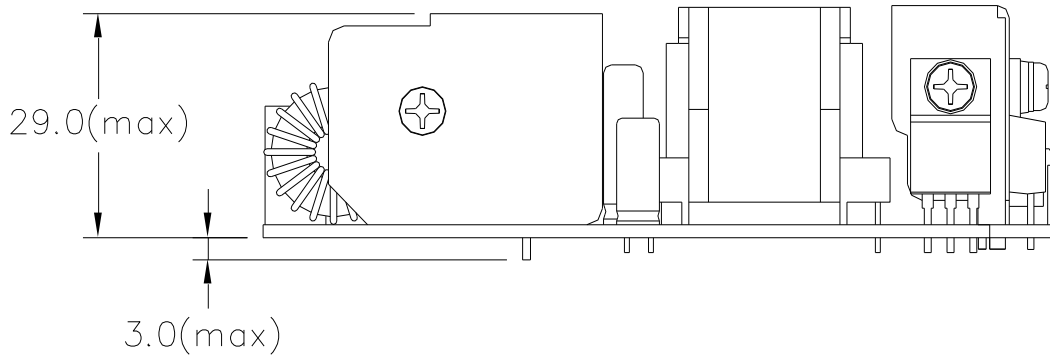


MECHANICAL SPECIFICATION

Open frame type PW-150B-1YZZZ series



4X 3.4Φ mounting holes and the one on Top-left side is for Ground (Protective bonding conductor)



※4 Positions of mounting holes must be securely connected to protective earth ground in the final system assembly for optimum SAFETY and EMI performance.

MATCHING CONNECTORS

CN1: Input Connector

JST B3P-VH-B pitch: 3.96mm or equivalent, mates with JST VHR-3N or equivalent

CN2: Output Connector

JST B6P-VH-B pitch: 3.96mm or equivalent, mates with JST VHR-6N or equivalent

Pin #	Signal
1	AC Neutral
2	AC Line

Pin #	Signal
1	GND
2	GND
3	GND
4	+Vo
5	+Vo
6	+Vo



POWER-WIN TECHNOLOGY CORP.

5F-6, No. 79, Sec. 1, Hsin-Tai 5th Road, Shi-Chi, New Taipei City, 22101 Taiwan, R.O.C.

Tel : 886-2-26983989(Rep) Fax : 886-2-26983978

http : //www.power-win.com

E-Mail : sales@power-win.com

REV.1.6