

Open Frame Type Switching Power Supply

150Watts Medical and ITE Single Output

FEATURES

- Both ITE & Medical Approvals.
- High Power density, 150W in 3" x 2" footprint.
- Medical applications Protection: Means of Patient Protection (MOPP).
- Altitude during operation: ITE & Medical Below 5000m.
- Meet Medical BF rated.
- Medical safety approved Class I and Class II.
- Main output Power ON LED indicators.
- No load Power consumption < 150mW
- 3 year warranty



ELECTRICAL SPECIFICATIONS

- Input range : 90 - 264VAC
- Frequency : 47 - 63Hz.
- Power Factor : > 0.95 @115VAC; > 0.90 @230VAC @full load.
- Inrush current :<50A peak @115VAC; <100A peak @230VAC cold start @25°C.
- Input current (rms) : 2A @115VAC; 1A @230VAC max.
- Efficiency : > 92% typical @full load, 230VAC.
- Touch current < 100uA @264VAC.
- Maximum output power : 150Watts forced air, 100Watts convection cooling.
- Hold-up time : > 10ms typical @full load, 115VAC.
- Short circuit protection : Auto-recovery.
- Over power protection : 105% to 160% maximum rating, Auto-recovery.
- Over voltage protection : Latching type. AC Recycle.

RoHS compliant

Dimension : L76.2 x W50.8 x H31.0 mm (3" x 2" x 1.22")
 Open frame type Weight : 0.15 kgs. (0.34 lbs.)
 Dimension : L90.6 x W64.0 x H38.0 mm (3.57" x 2.52" x 1.50")
 U-Channel type Weight : 0.20 kgs. (0.44 lbs.)
 Dimension : L90.6 x W64.0 x H39.2 mm (3.57" x 2.52" x 1.55")
 Enclosed type Weight : 0.21 kgs. (0.47 lbs.)

ENVIRONMENTAL

- Operating temperature : -20 to +70°C (Refer to derating curve).
- Storage temperature: -20°C to +85°C.
- Humidity: Non-condensing 10% to 95%.
- MTBF : > 400,000 hours @full load and 25°C ambient temperature per Telcordia(Bellcore TR-332).

SAFETY STANDARDS

UL60601-1 3.1rd Edition
 TUV EN60601-1 3.1rd Edition
 CB IEC60601-1 3.1rd Edition
 UL/c-UL UL62368-1
 TUV EN62368-1
 CB IEC62368-1

EMC STANDARDS

EN60601-1-2
 EN55011 Class B
 EN55032 Class B
 EN55024
 FCC Part 15 Class B
 FCC Part 18 Class B
 CE

DC OUTPUT & FEATURES

Model No.	Output Voltage	Maximum Load		Output Regulation	Ripple Noise	Convection total power	10CFM Forced air total power	Efficiency Level
		Convection	10 CFM Forced Air					
PW-150B-1Y120CSBX	+12V	8.34A	12.50A	±3%	120mV	100W	150W	VI
PW-150B-1Y150CSBX	+15V	6.67A	10.00A	±3%	150mV	100W	150W	VI
PW-150B-1Y180CSBX	+18V	5.56A	8.34A	±3%	180mV	100W	150W	VI
PW-150B-1Y240CSBX	+24V	4.17A	6.25A	±3%	240mV	100W	150W	VI
PW-150B-1Y280CSBX	+28V	3.58A	5.36A	±3%	280mV	100W	150W	VI
PW-150B-1Y360CSBX	+36V	2.78A	4.17A	±2%	360mV	100W	150W	VI
PW-150B-1Y480CSBX	+48V	2.09A	3.13A	±2%	360mV	100W	150W	VI
PW-150B-1Y540CSBX	+54V	1.86A	2.78A	±2%	360mV	100W	150W	VI

Note:

1. All models have total power 100W Max. convection or 150W Max. forced air cooling.
2. Ripple and noise are measured at oscilloscope 20MHz bandwidth by a 10uF electrolytic capacitor and a 0.1uF ceramic capacitor in parallel at output connector.
3. Model option : C = B,open frame type C = U,U-channel C = E,Enclosed
4. Safety option: S = M (Medical & ITE) S = I (ITE only)
5. Output connector option: B=J (JST VH type) B = T (Eurostyle P.C.B. Terminal Block)
6. Medical Class I & Class II option code: X = Blank (Class I) X = 2 (Class II)

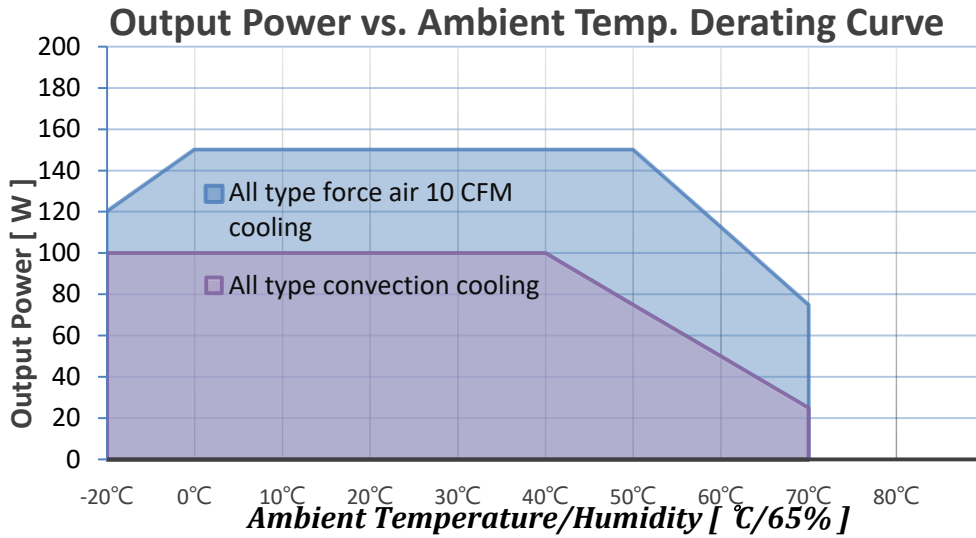


POWER-WIN TECHNOLOGY CORP.

5F-6, No. 79, Sec. 1, Hsin-Tai 5th Road, Shi-Chi, New Taipei City, 22101 Taiwan, R.O.C.
 Tel : 886-2-26983989(Rep) Fax : 886-2-26983978
 http : //www.power-win.com E-Mail : sales@power-win.com

ENVIRONMENTAL

DERATING CURVE

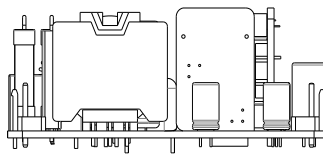
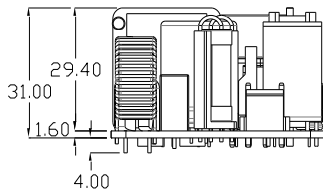
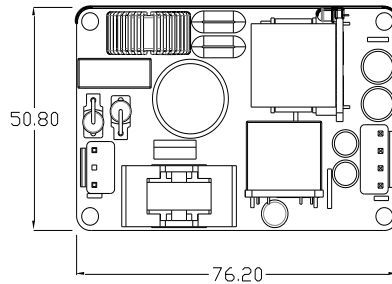


Convection cooling Derate linearly 2.5% per °C from 41 to 70°C
 10CFM forced air cooling Derate linearly 2.5% per °C from 51 to 70°C
 10CFM forced air cooling Derate linearly 1.0% per °C from 0 to -20°C

MECHANICAL SPECIFICATION

- Open frame type PW-150B-1YXXXBSBX series 76.2 * 50.8 * 31.0 mm ±0.5mm
- U-Channel type PW-150B-1YXXXUSBX series 90.6 * 64.0 * 38.0 mm ±0.5mm
- Enclosed type PW-150B-1YXXXESBX series 90.6 * 64.0 * 39.2 mm ±0.5mm

- Open frame type PW-150B-1YXXXBSBX series



POWER-WIN TECHNOLOGY CORP.

5F-6, No. 79, Sec. 1, Hsin-Tai 5th Road, Shi-Chi, New Taipei City, 22101 Taiwan, R.O.C.

Tel : 886-2-26983989(Rep) Fax : 886-2-26983978

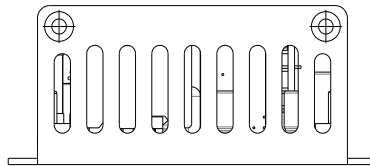
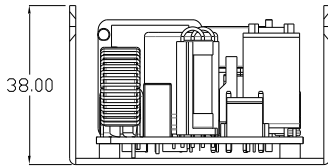
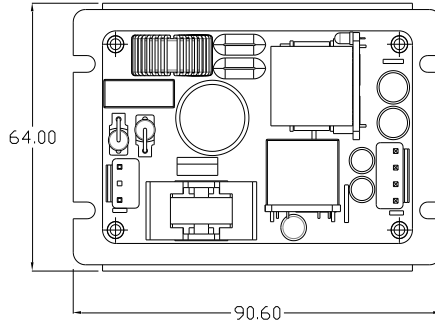
http : //www.power-win.com

E-Mail : sales@power-win.com

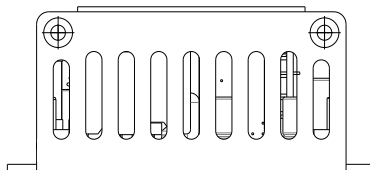
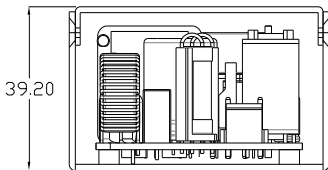
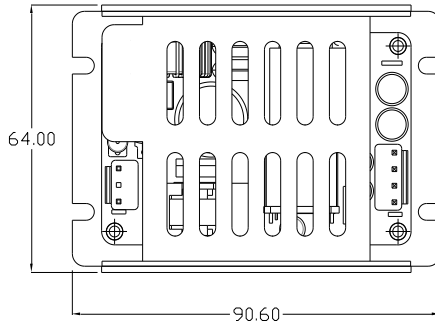
REV.1.5

MECHANICAL SPECIFICATION

U-Channel type PW-150B-1YXXXUSBX series



Enclosed type PW-150B-1YXXXESBX series

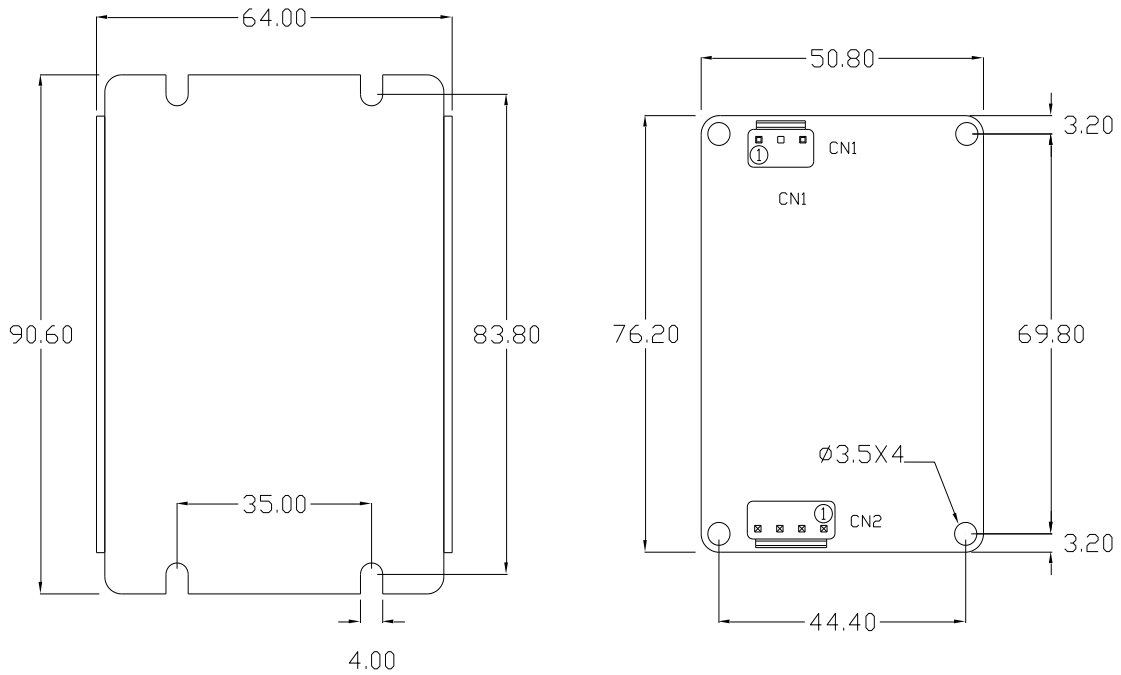


- ※ For Class I applications, 4 Positions of mounting holes must be securely connected to protective earth ground in the final system assembly for optimum SAFETY and EMI performance.
- ※ For Class II applications, 4 Positions of mounting holes can't be connected together, All mounting holes should be fixed to the Chassis by insulated spacer.
- ※ PW-150B-1YXXX series can add an additional clamp core (KING CORE:KCF-100-B) 1 turn on AC input to get better EMI performance when test condition is Class II.



MECHANICAL SPECIFICATION

Outline drawing



CN1 : Input Connector (pitch : 3.96mm)

JST B3P-VH-B or equivalent

Mates with JST VHR-3N or equivalent

Pin #	Signal
1	AC Line
2	AC Neutral

CN2 : Main Output Connector (pitch : 3.96mm / 3.5mm)

JST B4P-VH-B or equivalent

Mates with JST VHR-4N or equivalent

Pin #	Signal
1	GND
2	GND
3	+Vout
4	+Vout

Eurostyle P.C.B. 3.5mm Terminal Block

16-24 AWG (1.5mm²) Wire range

Pin #	Signal
1	GND
2	GND
3	+Vout
4	+Vout